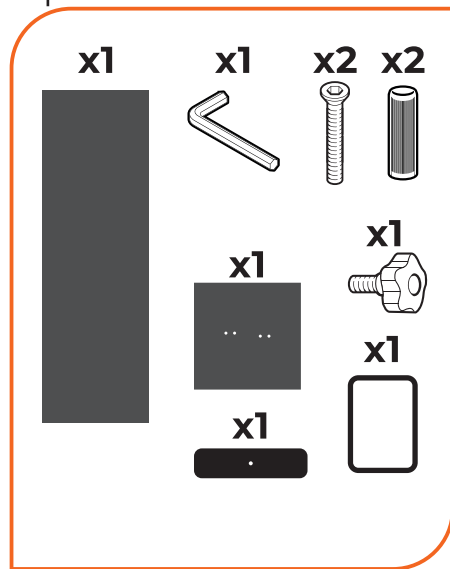
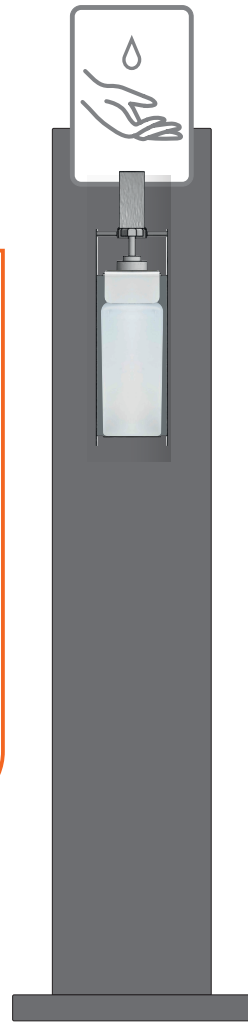
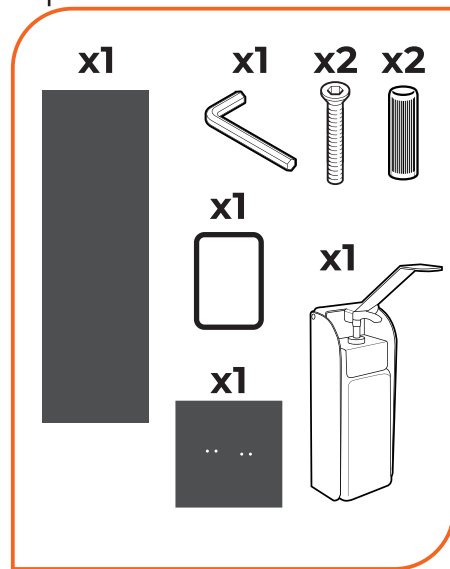


Hand Sanitiser Station- Simple

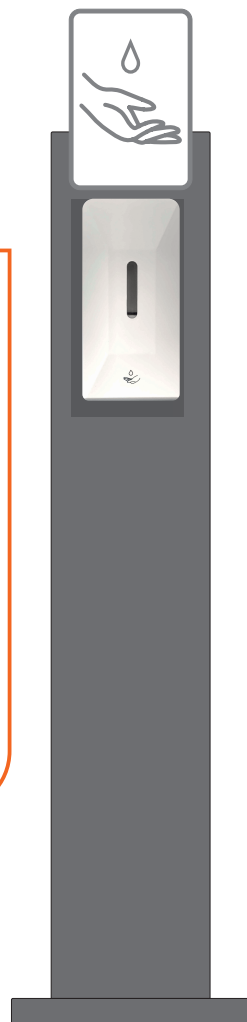
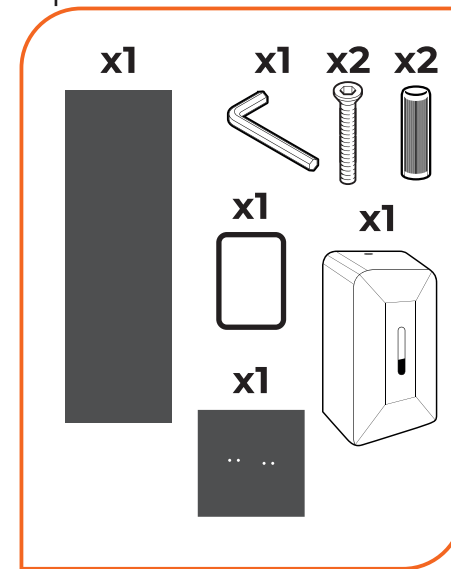
Option 1



Option 2



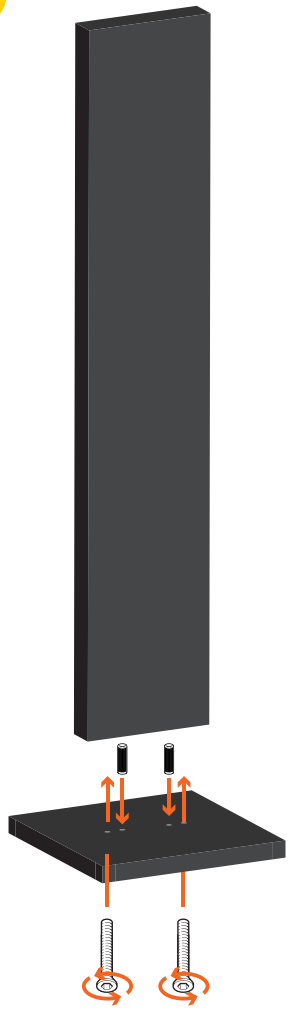
Option 3



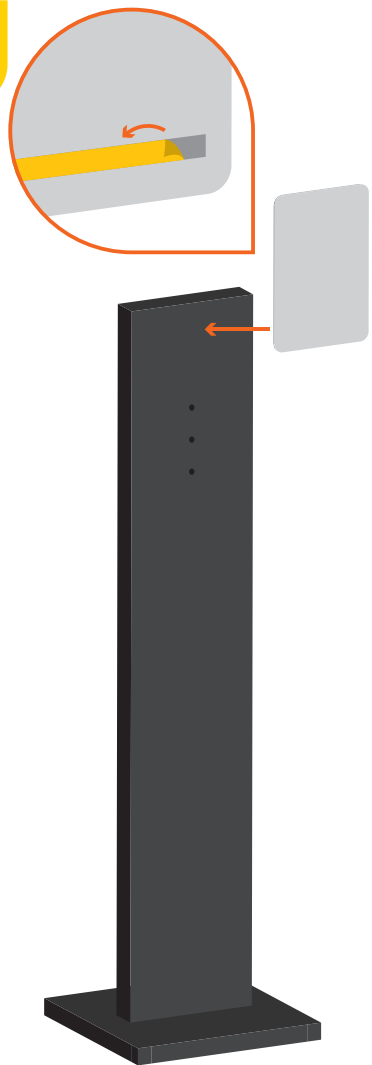
Hand Sanitiser Station- Simple

Option 1

1



2



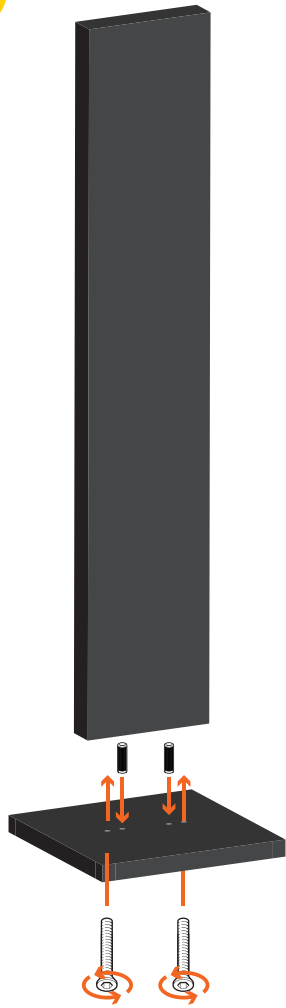
3



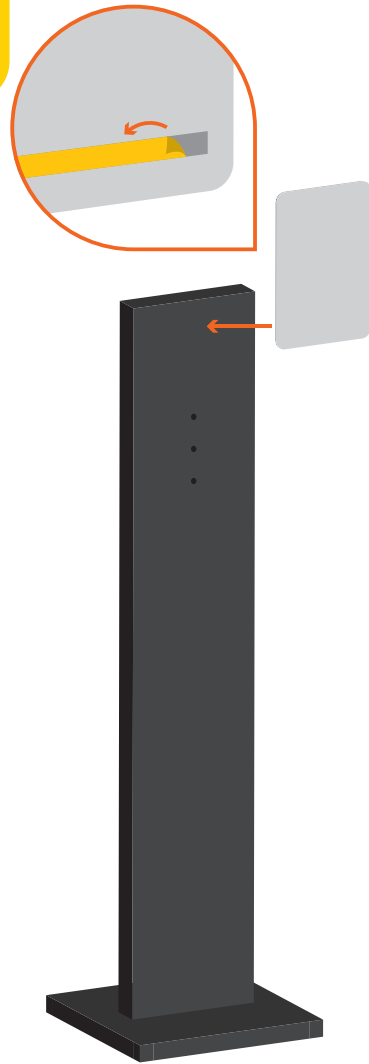
Hand Sanitiser Station- Simple

Option 2

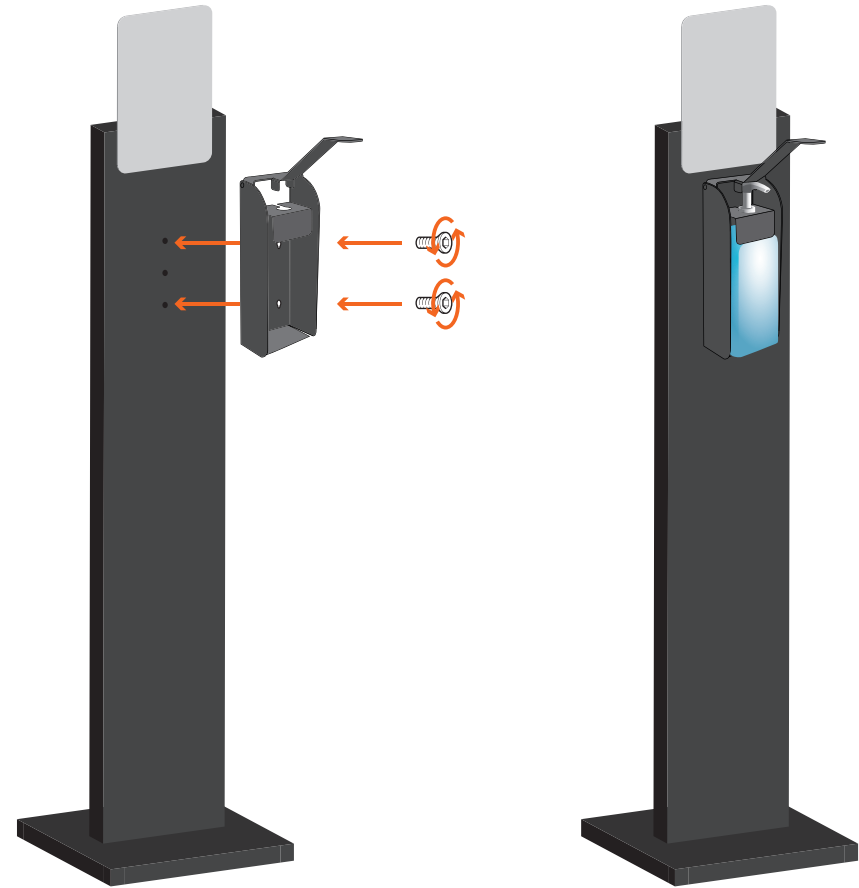
1



2



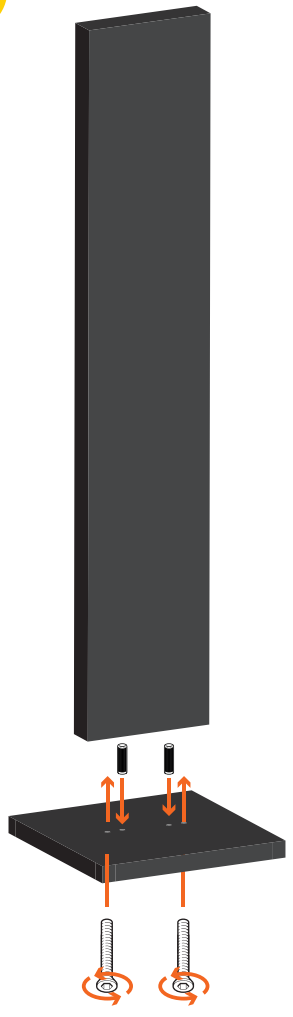
3



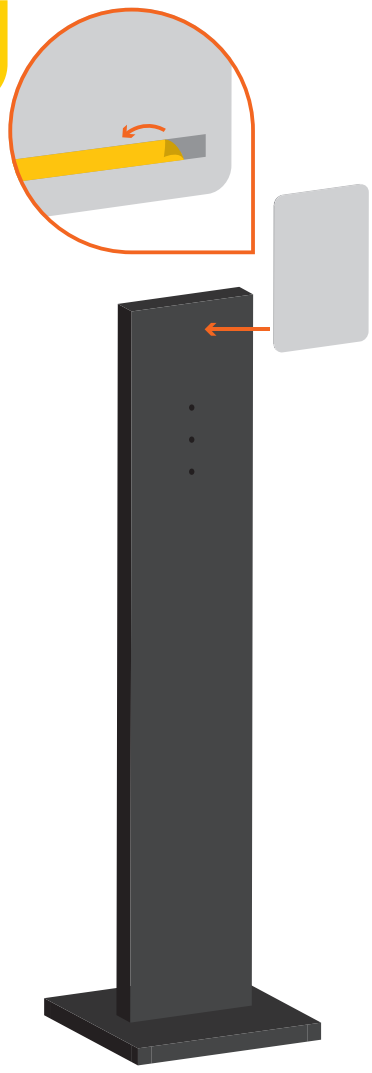
Hand Sanitiser Station- Simple

Option 3

1



2



3

