

PROTECT DESK SCREEN

FREE STANDING PROTECTION SHIELD
FOR OFFICES & SCHOOLS.



PROTECT DESK

free standing protection shield for offices & schools.

Protection shield

adapted to single or double desks for school pupils, students and white-collar workers.

Limits the possibility of germs spreading between students in the classroom or employees in the office's open space.



Various types:

10 sizes that securely fit almost every desk

60 x 45 cm, 60 x 55 cm
70 x 45 cm, 70 x 55 cm
80 x 45 cm, 80 x 55 cm
90 x 45 cm, 90 x 55 cm
100 x 45 cm, 100 x 55 cm

Materials:

10 mm hard PVC base with L-brackets, easily mounted to desktop with self-adhesive Velcro strips.

Extremely easy setup

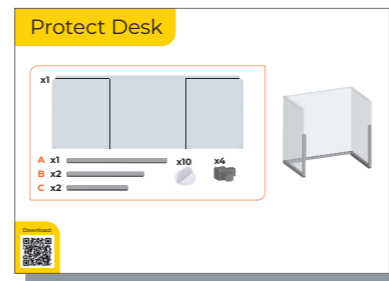
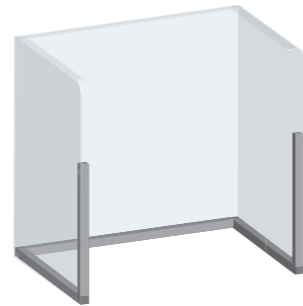
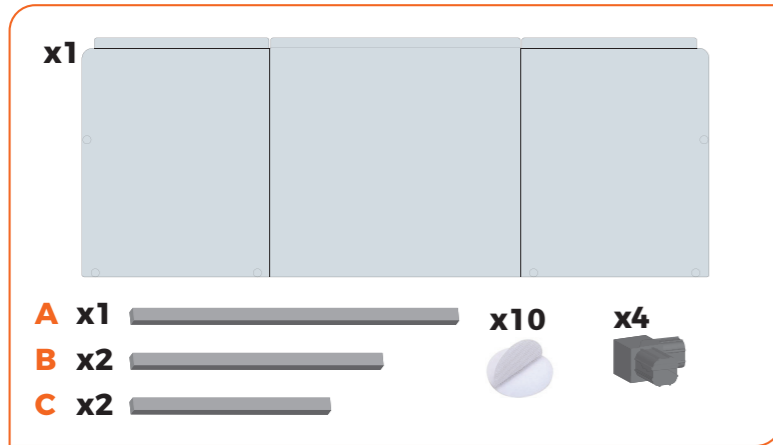
0,7 mm PET screen mounted to the base with Velcro strips which significantly simplifies assembly and disassembly of the cover.

Safety and comfort:

Velcro mounting solution secure the base of the protective shield from moving on the desk surface. In case of any damage or risky behaviour the screen is detachable from the base, preventing students or workers from injuries and damages. In addition, it can be easily mounted again after cleaning or decontamination.

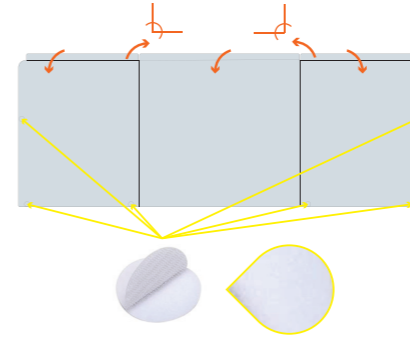


Check our instruction PROTECT DESK

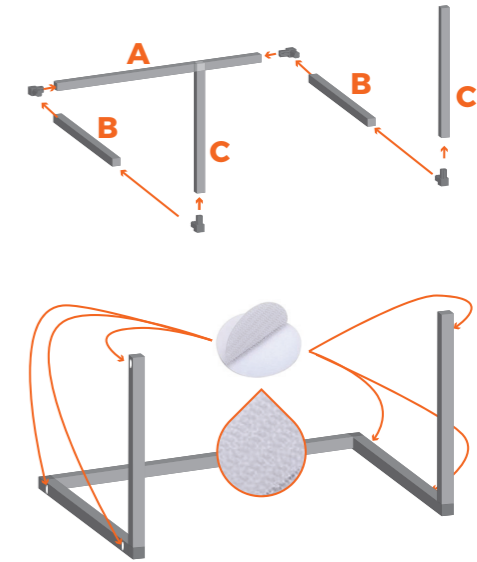


Check our instruction:

1.



2.



3.

