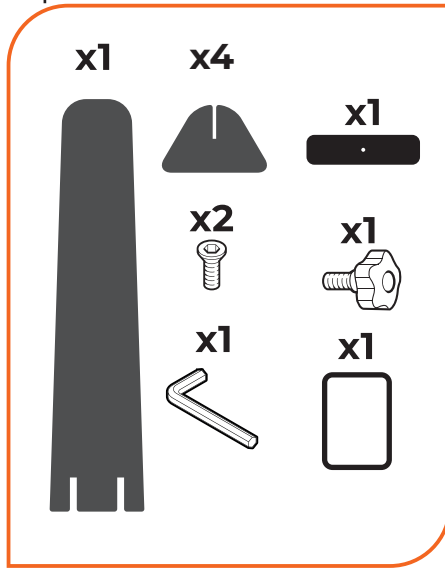
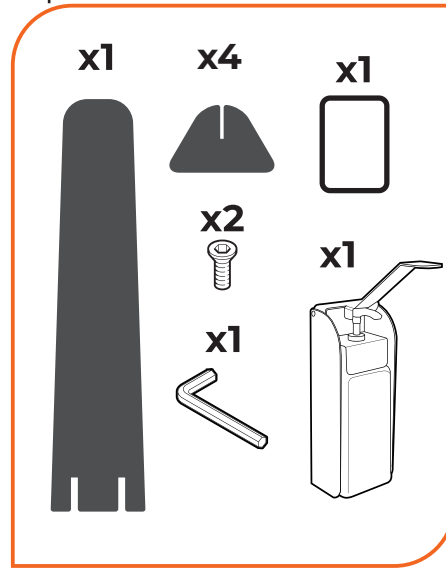


# Hand Sanitiser Station- HPL

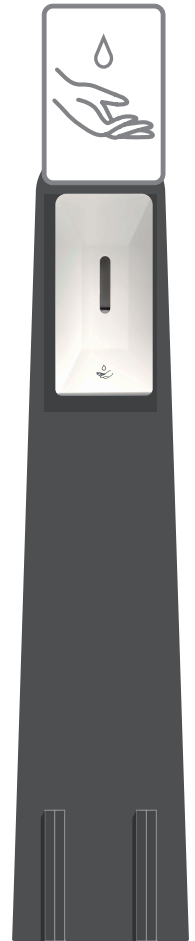
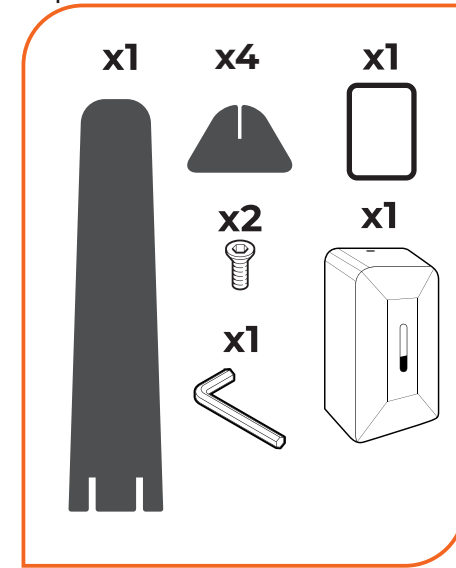
Option 1



Option 2



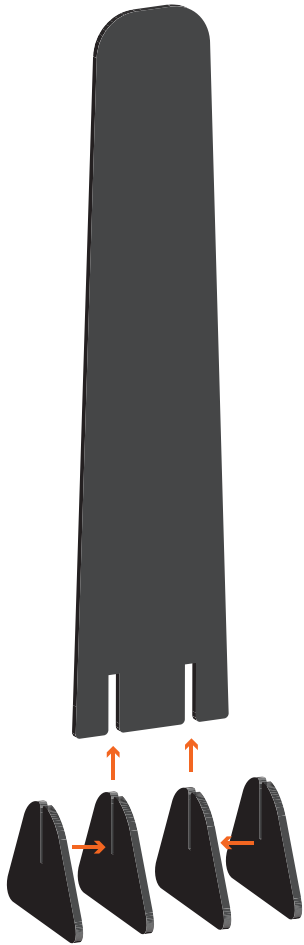
Option 3



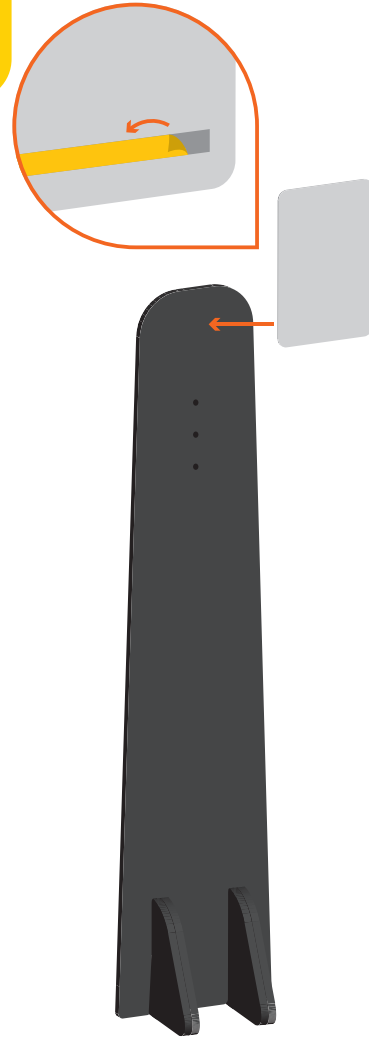
# Hand Sanitiser Station- HPL

Option 1

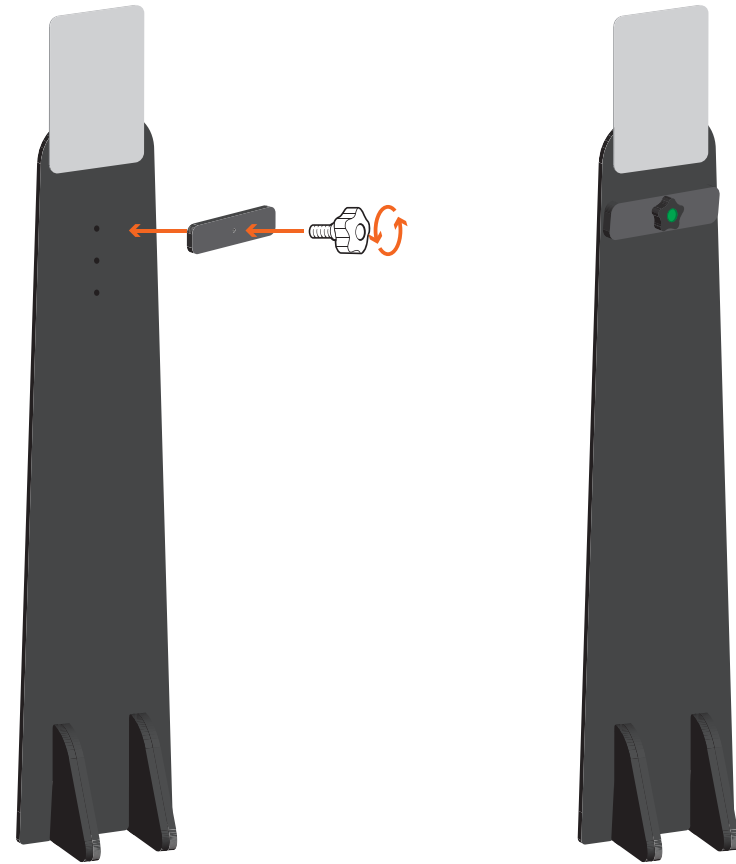
1



2



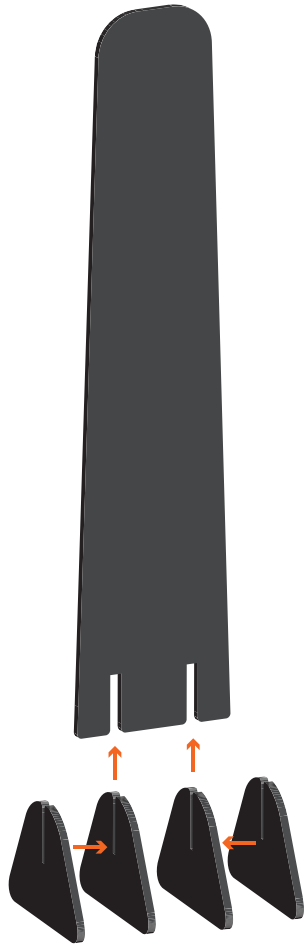
3



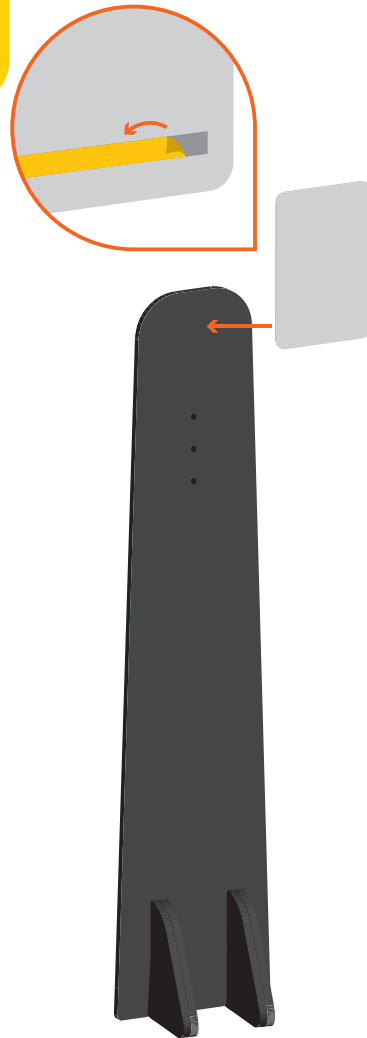
# Hand Sanitiser Station- HPL

Option 2

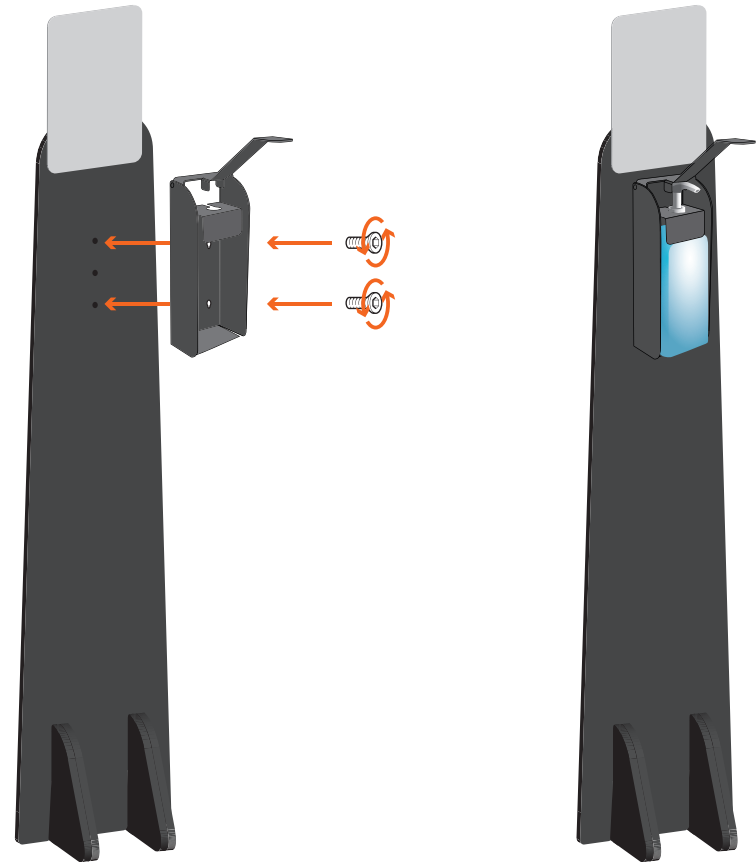
1



2



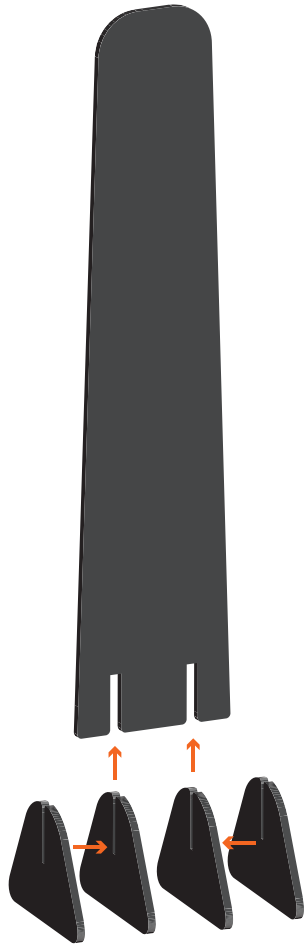
3



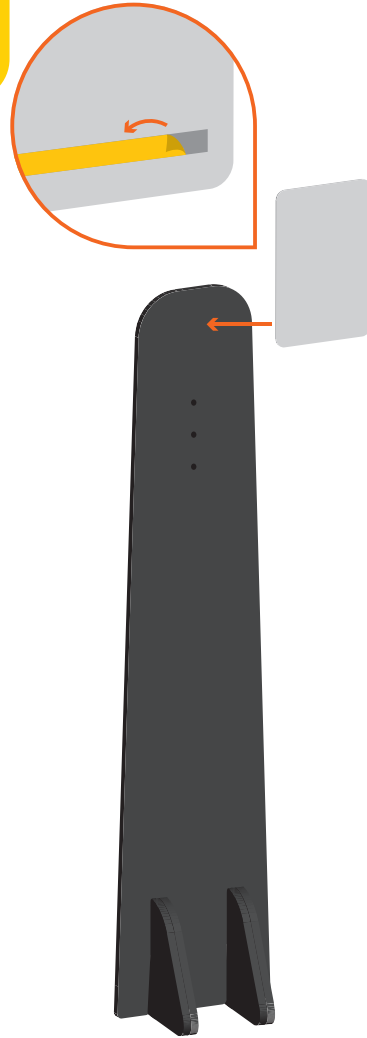
# Hand Sanitiser Station- HPL

Option 3

1



2



3

