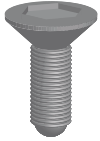


Smart Frame Clear-F19/F27

x4



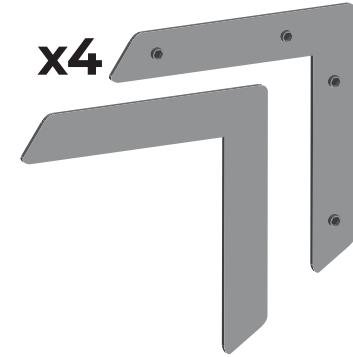
x2



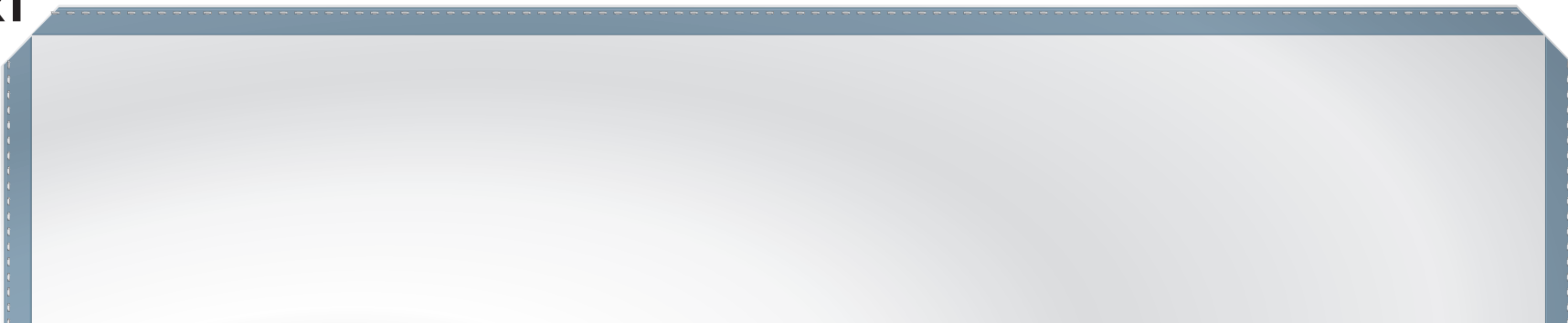
Optional



x4

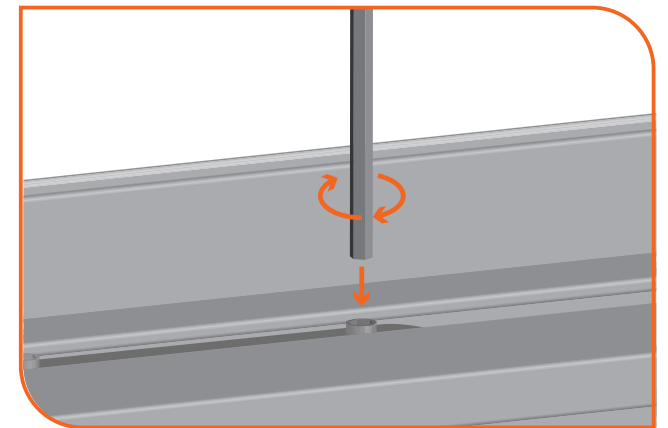
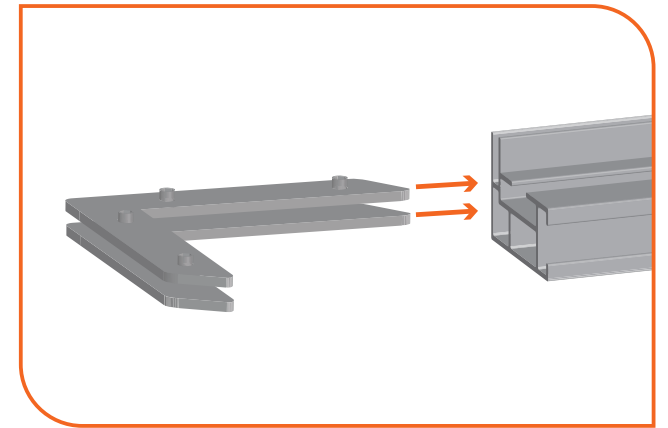
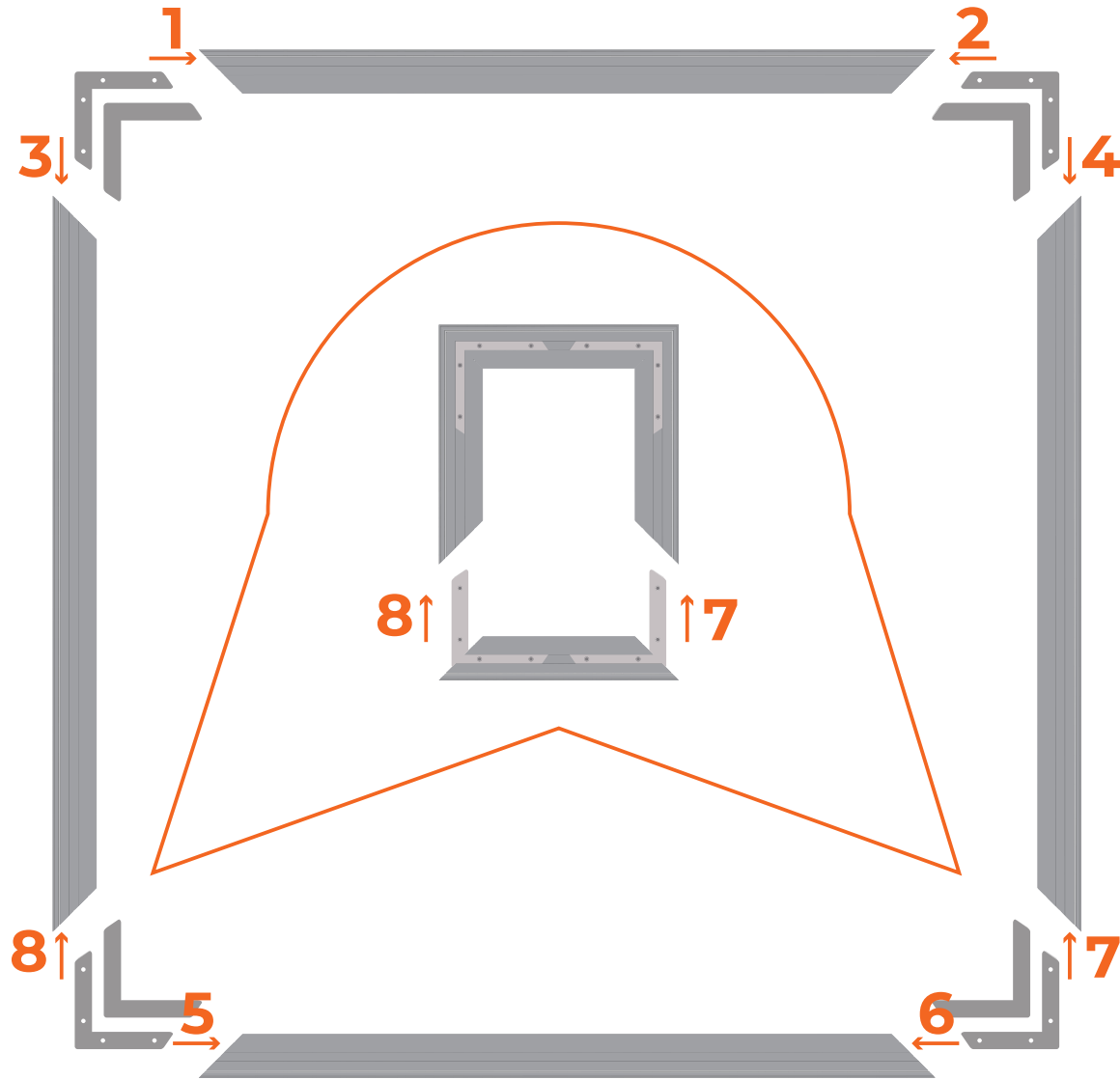


x1



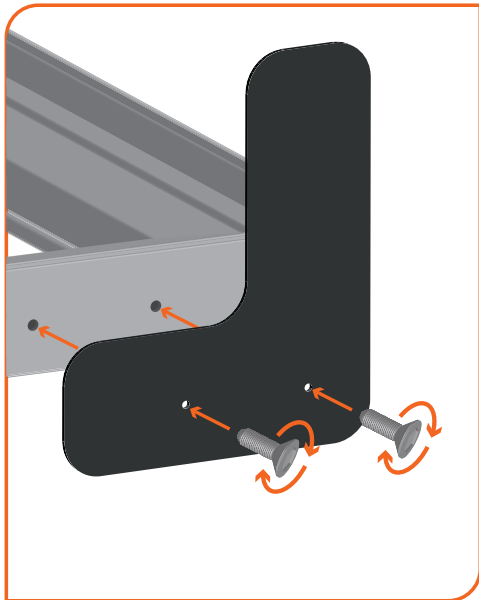
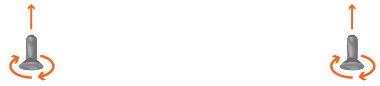
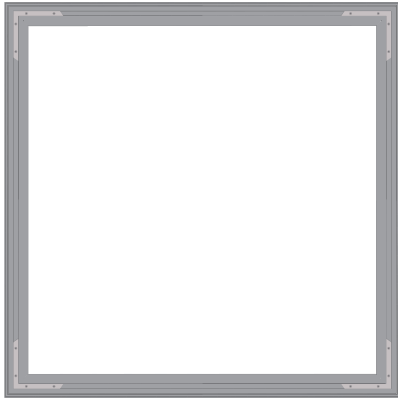
Smart Frame Clear-F19/F27

1

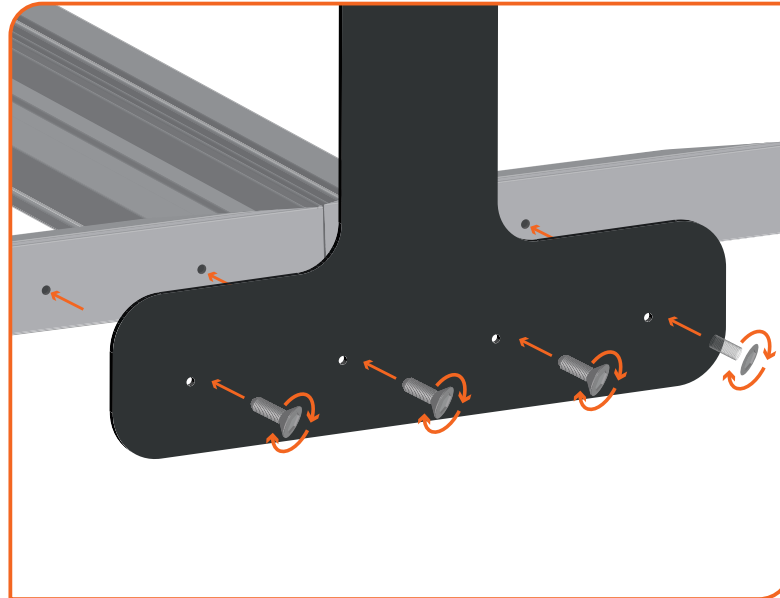
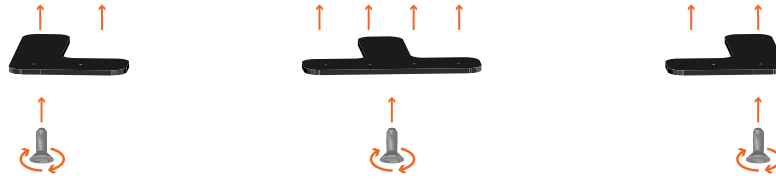
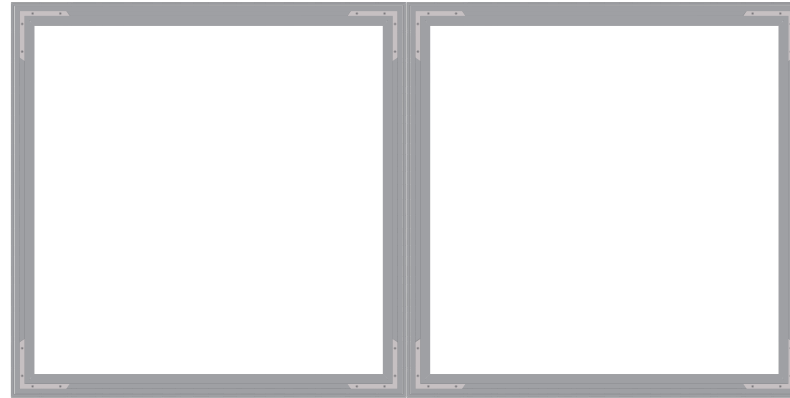


Smart Frame Clear-F19/F27

2



2 Optional



Smart Frame
Clear-F19/F27

3

