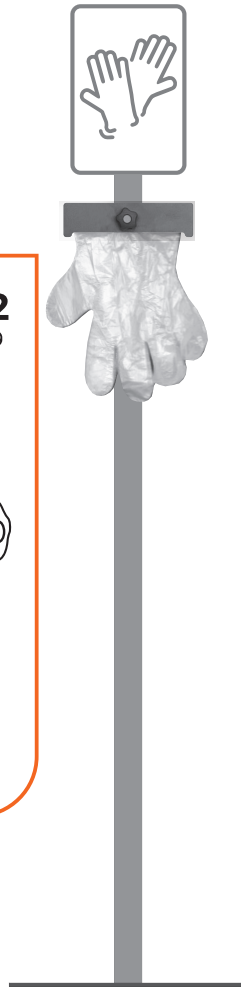
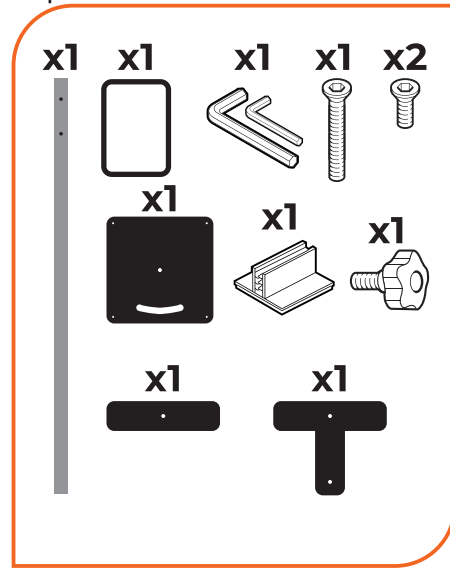
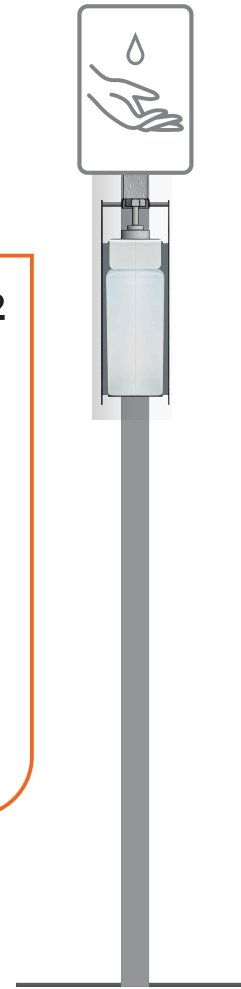
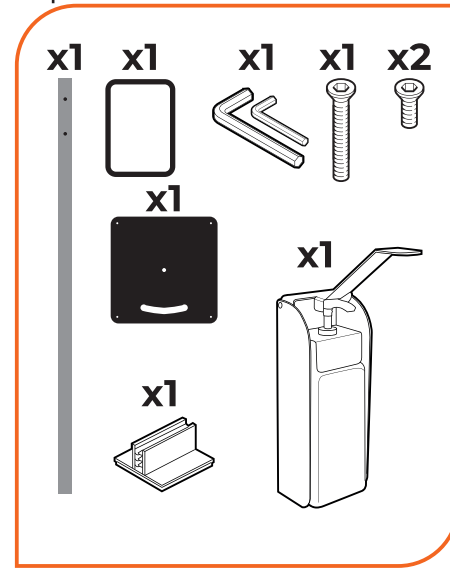


Hand Sanitiser Station -Small

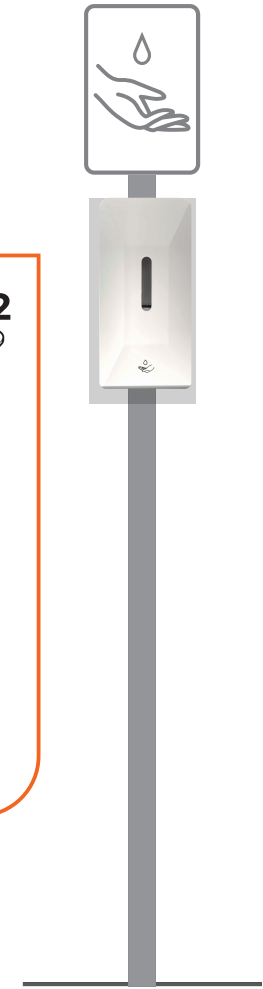
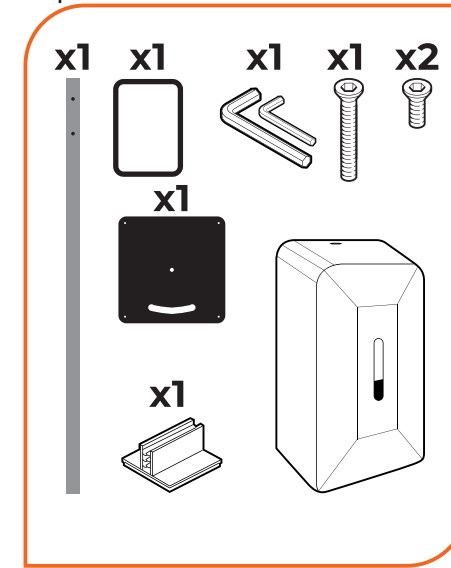
Option 1



Option 2

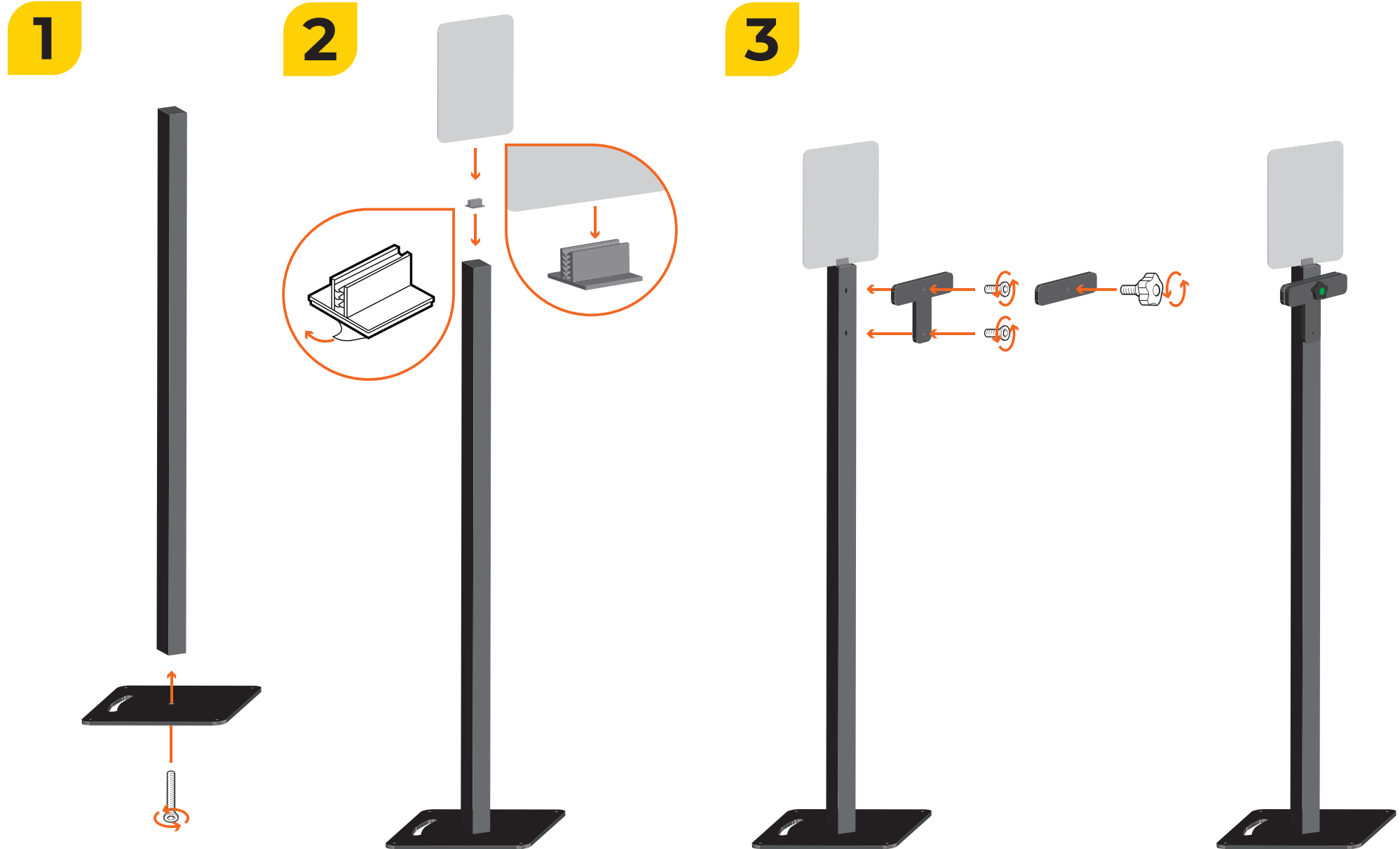


Option 3



Hand Sanitiser Station -Small

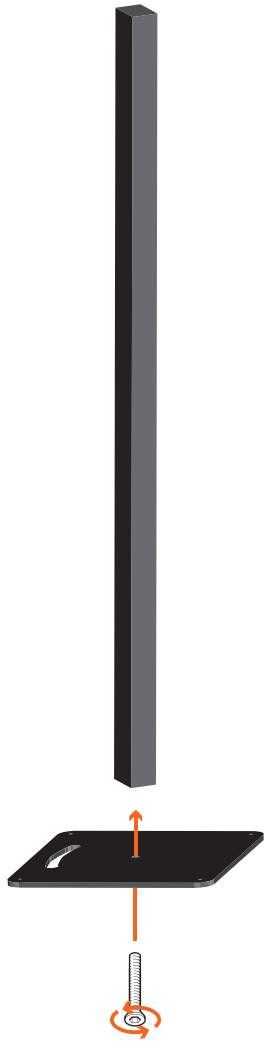
Option 1



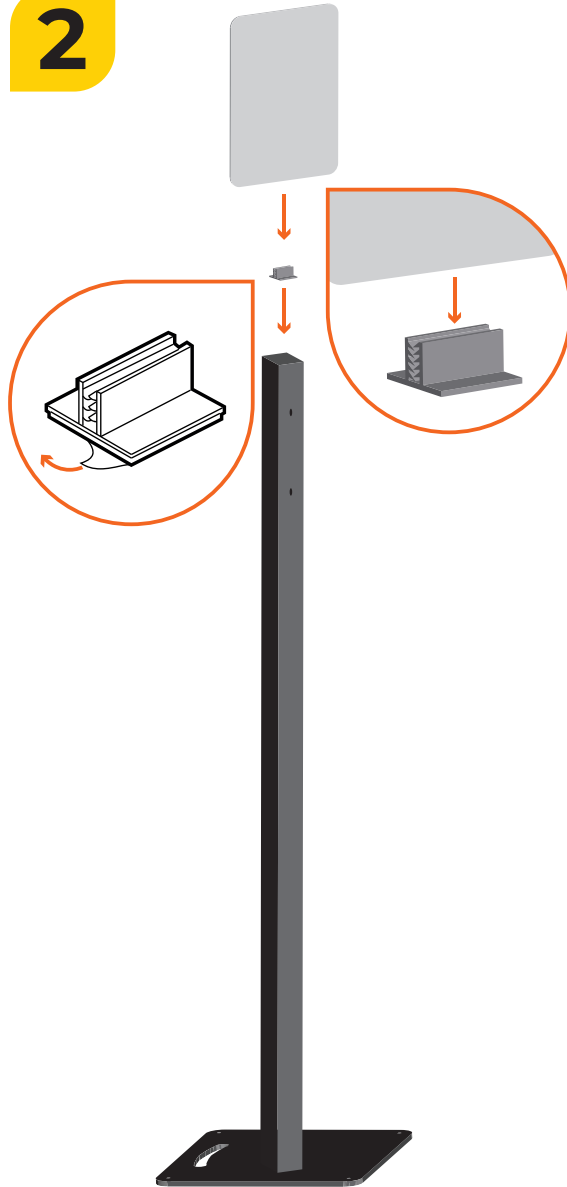
Hand Sanitiser Station -Small

Option 2

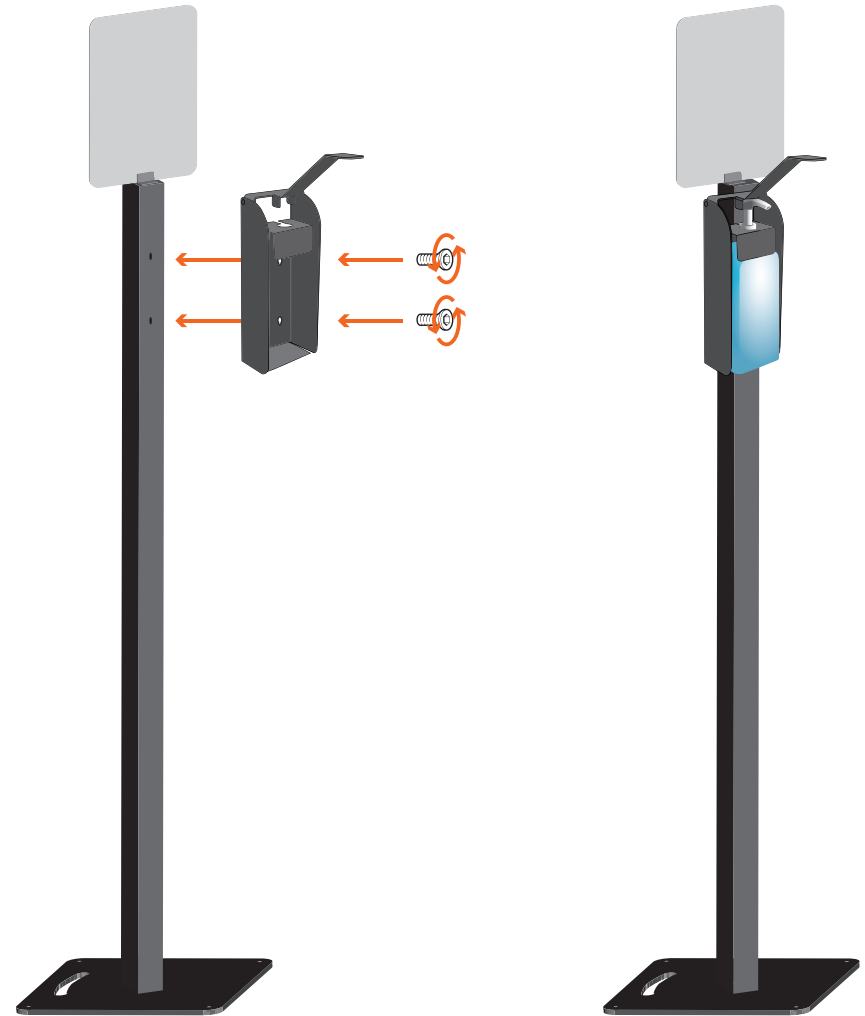
1



2



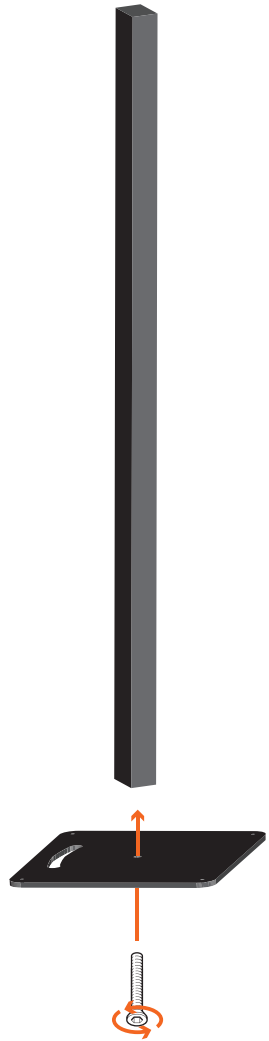
3



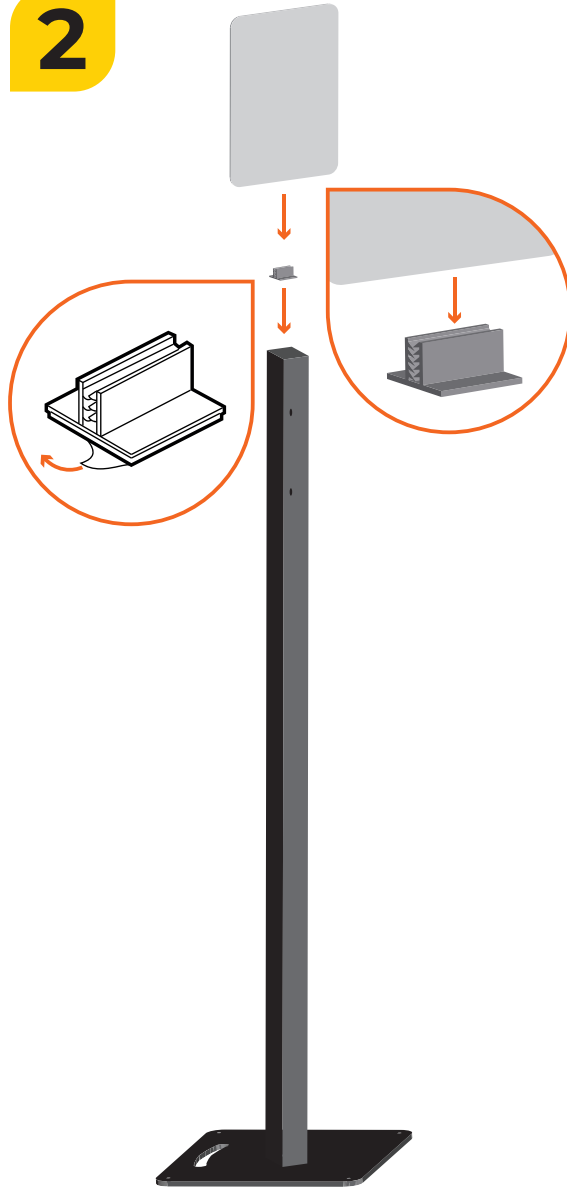
Hand Sanitiser Station -Small

Option 3

1



2



3

